

AMP-DC101 INSTRUCTION

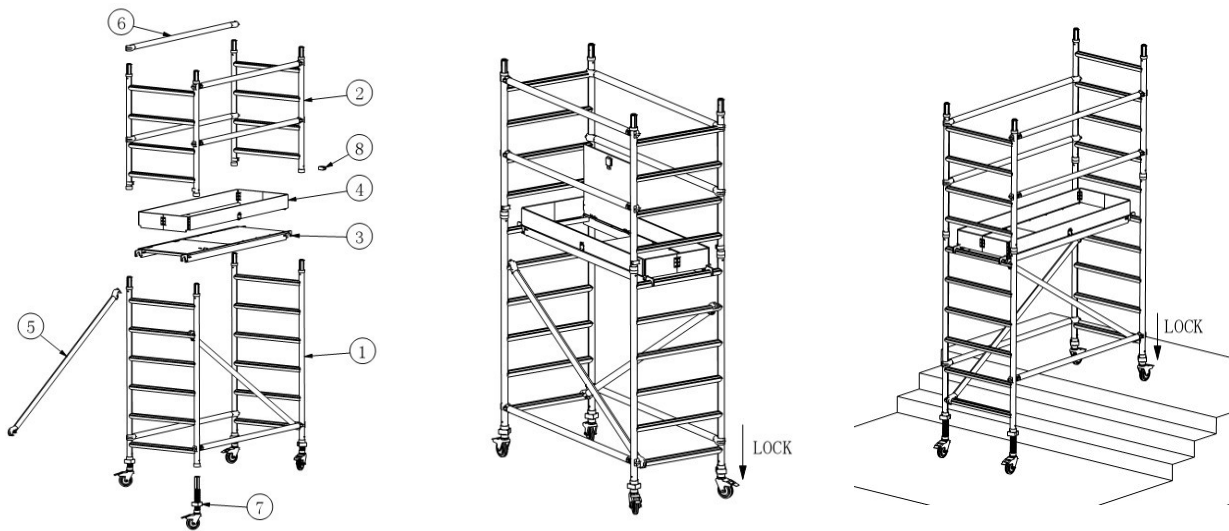
Aluminum Foldable Mobile Platform

Product features:

1. Material: Aluminum 6061 – T6
2. Anti-slip aluminum platform
3. 280mm distance between steps, total 6 steps
4. Durable PU double brake casters

Safety Guides:

1. Ensure castors are locked when working
2. Maximum 2 persons working on the platform
3. Ensure helmets and all personal protection equipments are worn at all times



Components			
Item	Product	Specification (mm)	Qty
1	1680Frame	780x1680	2
2	1120Frame	780x1120	2
3	Step	600x1800	1
4	Toeboard	600x1720x130	1
5	Diagonal Brace	φ 50x2120	2
6	Ladder Standoff	φ 50x1800	6
7	Caster	φ 125	4
8	Interlock Clip	φ 50x28	4